



## 5.30 LOUNGE CHAIR

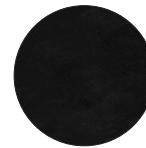
This lounge chair is named for the standard 5x30mm flat steel bar profile that is the basis of the design.

The steel is folded to make the frame and finished with a matte black powder coat. The seat / backrest is hand cut and finished vegetable tan leather.

### Sling

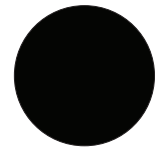


Natural vegetable tanned leather



Black vegetable tanned leather

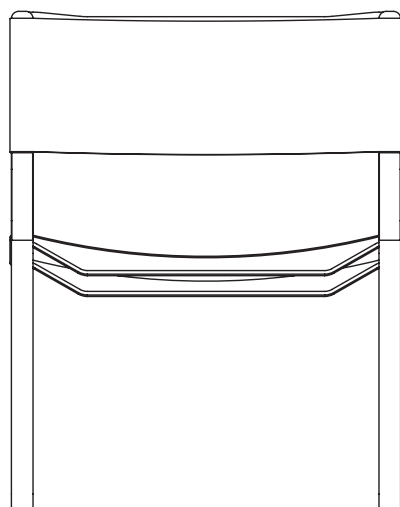
### Frame



Matte black powder coated

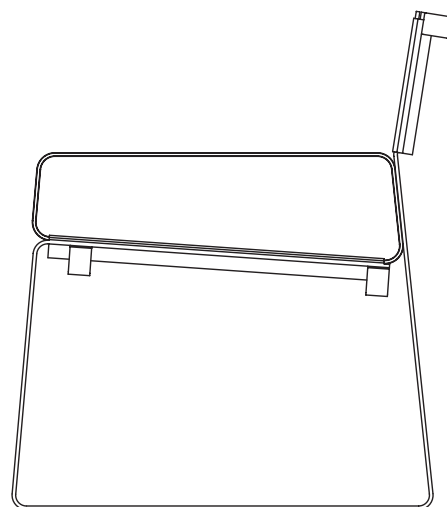
### SPECIFICATIONS

<b>Warranty</b>	12 Months
<b>Environment</b>	Indoor
<b>Weight</b>	11 kg
<b>Materials</b>	Powder-coated flat bar steel frame Vegetable Tan Leather Canvas Support layer



570mm  
(28 Inch)

700mm  
(28 Inch)



670mm  
(28 Inch)